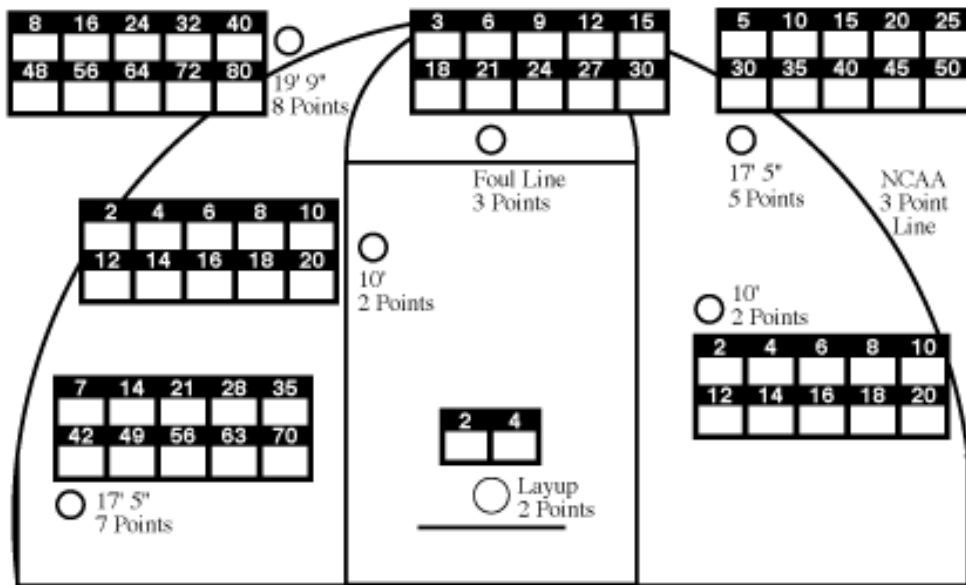


Total Score	
8 pt	
7 pt	
5 pt	
3 pt	
2 pt	
2 pt	
Layup	
Subtotal	
Violation	-
Bonus	
Final Score	

Motion Violations: -1 -2 -3 -4 -5 -6 -7 -8 -9 -10

WINNER

TEAM: _____ GRADE: _____ Boys / Girls (circle one)



Total Score	
8 pt	
7 pt	
5 pt	
3 pt	
2 pt	
2 pt	
Layup	
Subtotal	
Violation	-
Bonus	
Final Score	

Motion Violations: -1 -2 -3 -4 -5 -6 -7 -8 -9 -10

WINNER